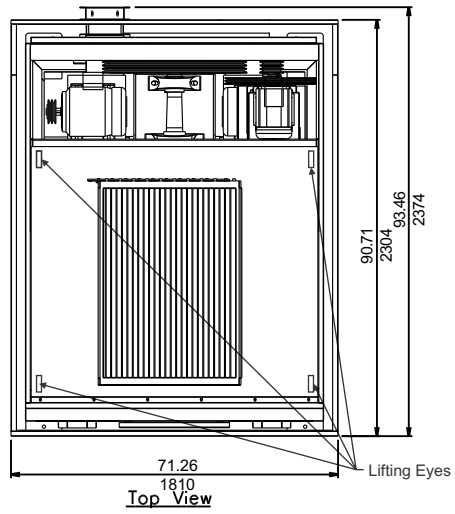
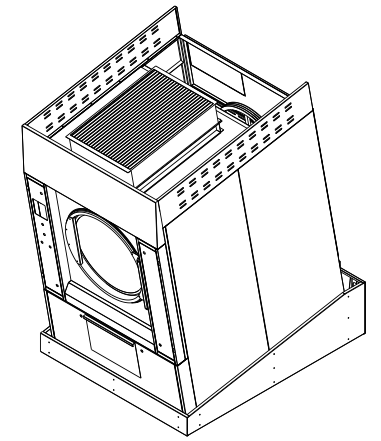
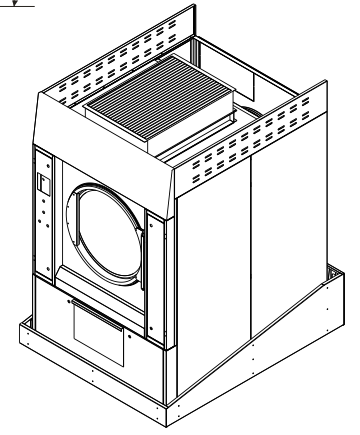
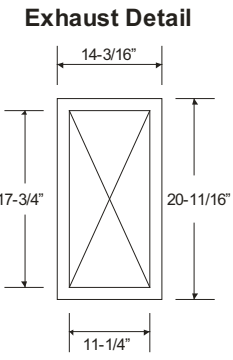
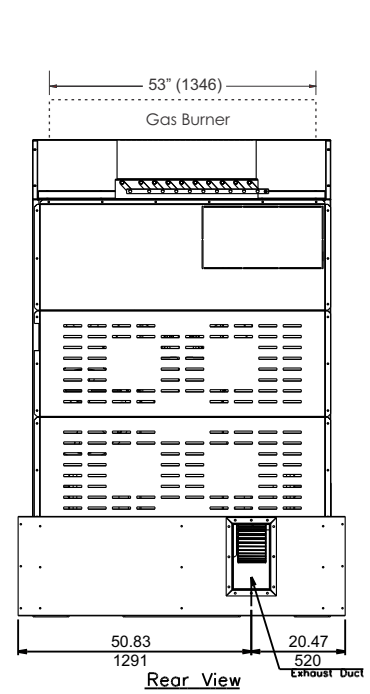
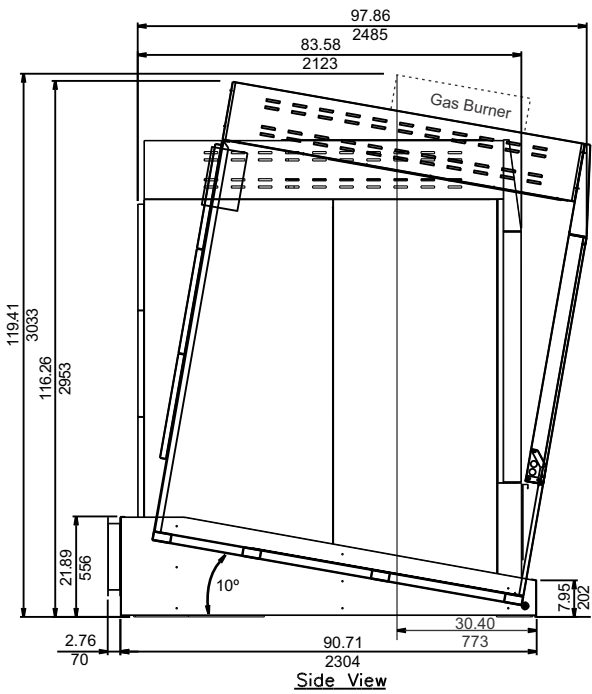
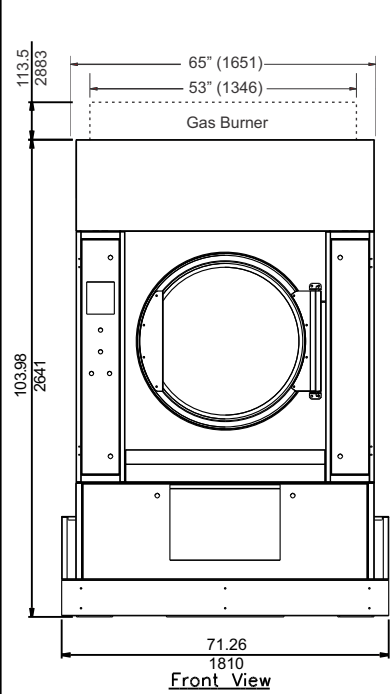


A



DP-250	Units			
	English	Metric		
Cylinder Volume	cu ft	liters	77	2200
Capacity	lbs	kg	250	114
BTU/hr (Gas Heat)			950,000	
Steam Consumption			31 BHP	
Max Steam Pressure	psi	bar	125	9
Airflow (Gas Heat)	CFM	CMM	5,500	156
Airflow (Steam Heat)	CFM	CMM	6,100	172
Compressed Air (80 psi)	CFM	CMM	0.50	0.01
Max Amps	220-240VAC	440-480VAC	39	19
Circuit Breaker			80	40
Weight	lbs	kg	2885	1308

Note: Minimum rigging height is 94.5 inches (2400mm) with fascia panels and burner removed.

REV A2	BY AFA	DATE 11-30-2018	REV. DESCRIPTION Added gas burner dims
DRAWN BY A. Adcock		DATE 9-2-2011	 Panama City, FL Phone: 850-249-2222 Fax: 850-249-2226 www.bandctech.com
CHECKED BY C. Oswald		DATE 9-2-2011	
DESCRIPTION General Technical Specifications <b>DP-250 Dryer</b>			
DATE 9-2-2011	FILE NAME DP-250 Tilt General Specifications.pdf	SHEET 1 OF 1	